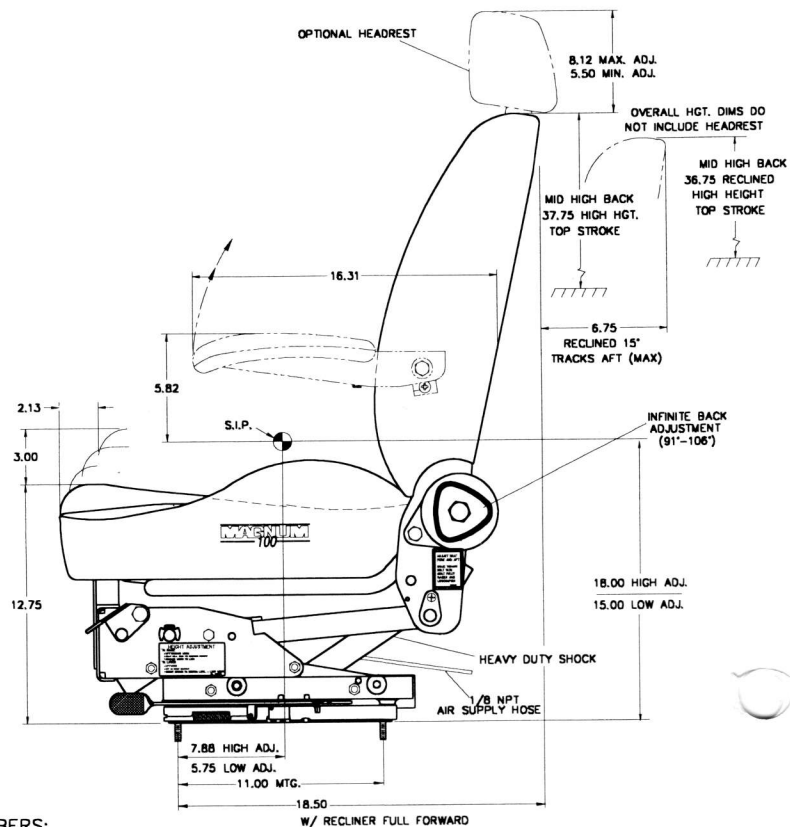
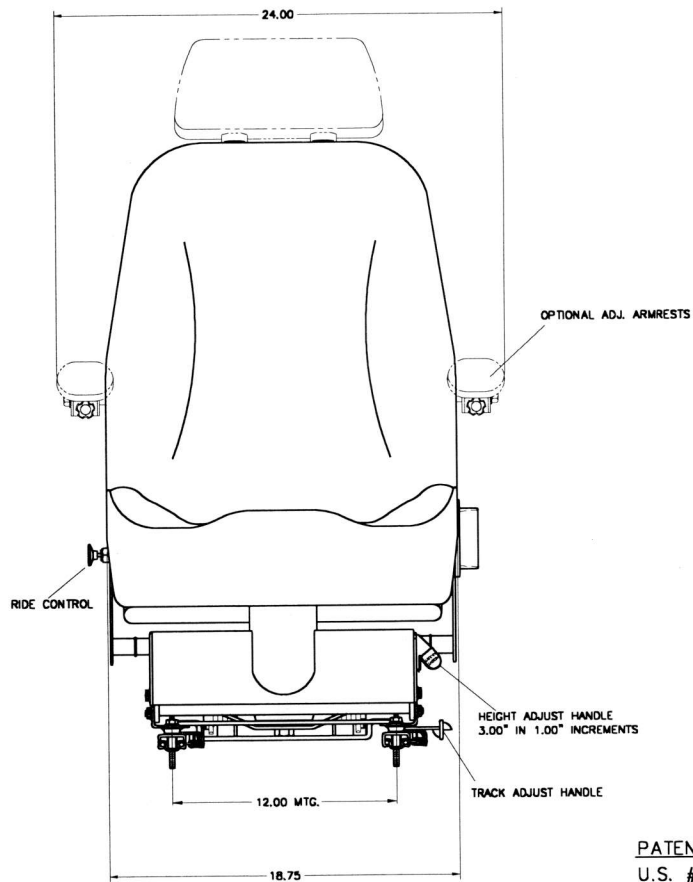


MAGNUM 100



PATENT NUMBERS:
 U.S. # 3,711,149
 CANADIAN # 948537
 OTHER PATENTS PENDING