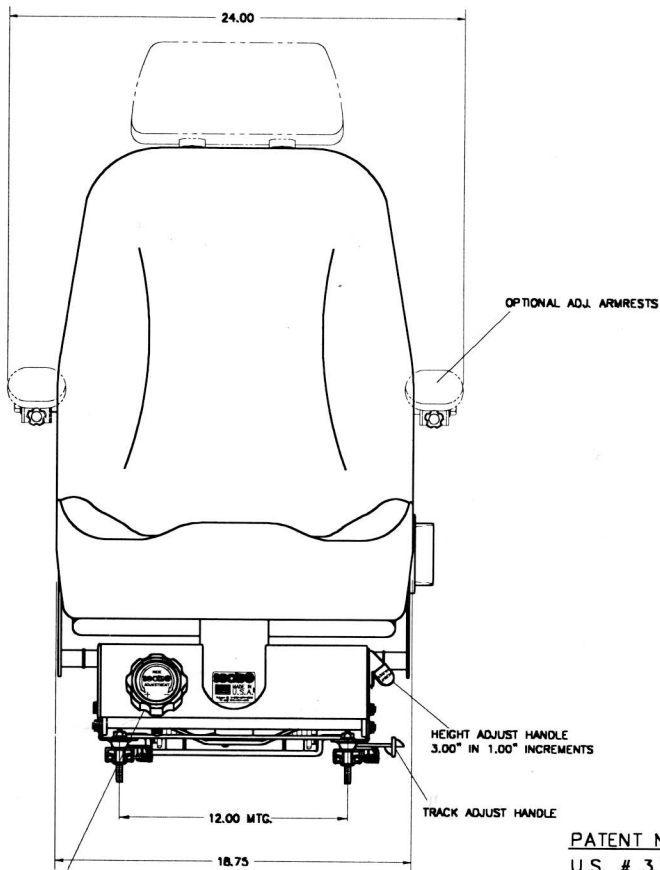
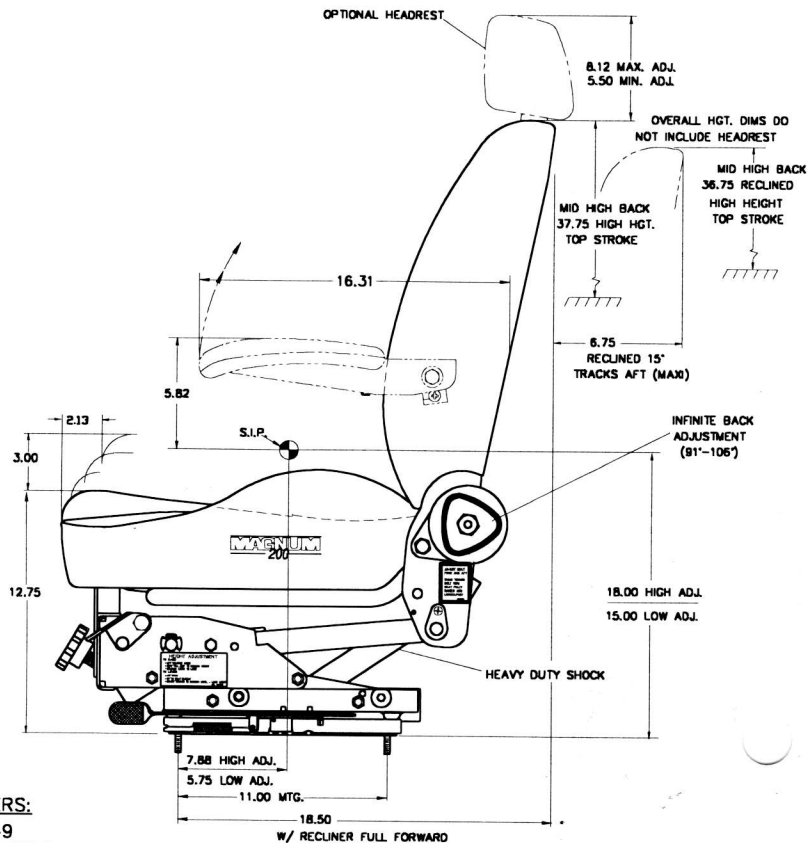


MAGNUM 200



RISE CONTROL KNOB



PATENT NUMBERS:

U.S. # 3,711,149
CANADIAN # 948537
OTHER PATENTS PENDING